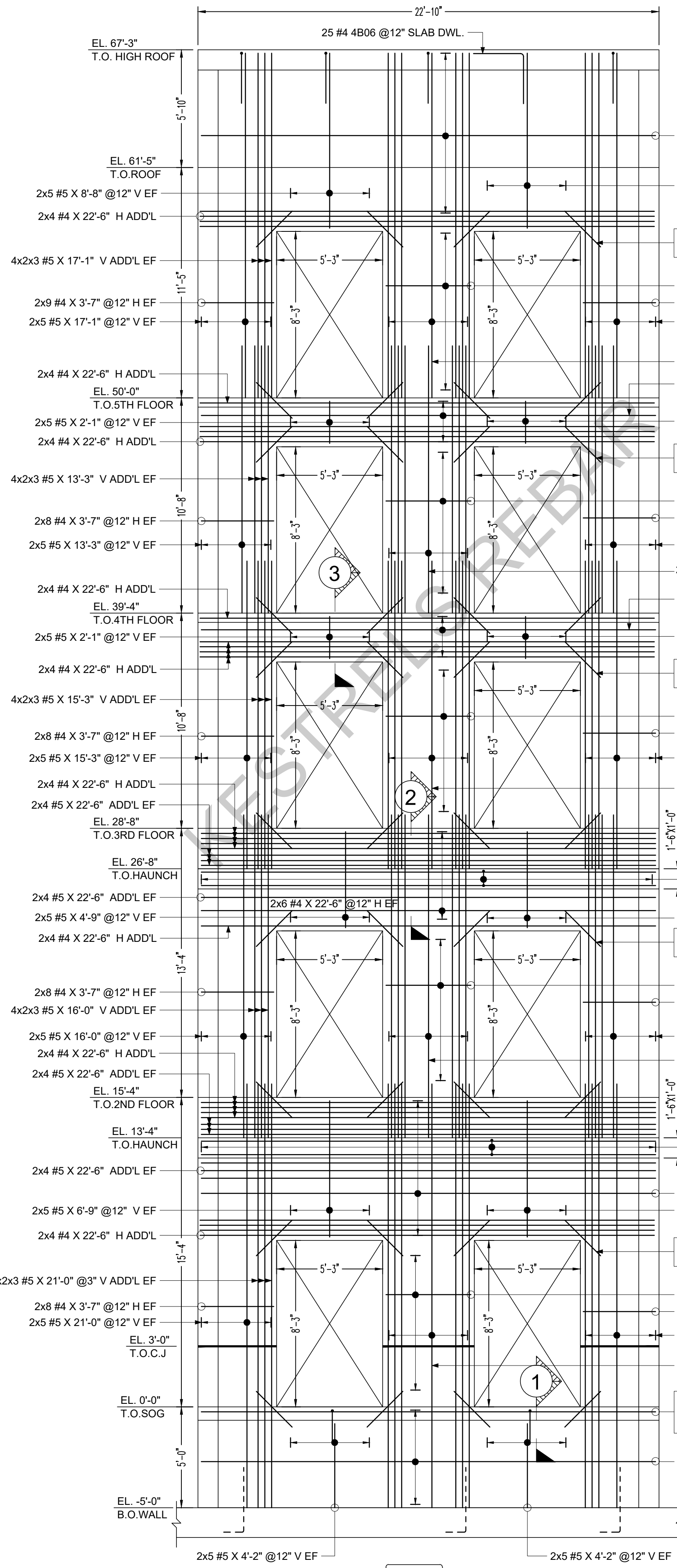
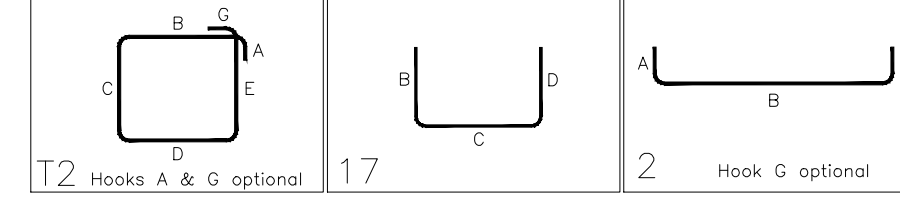
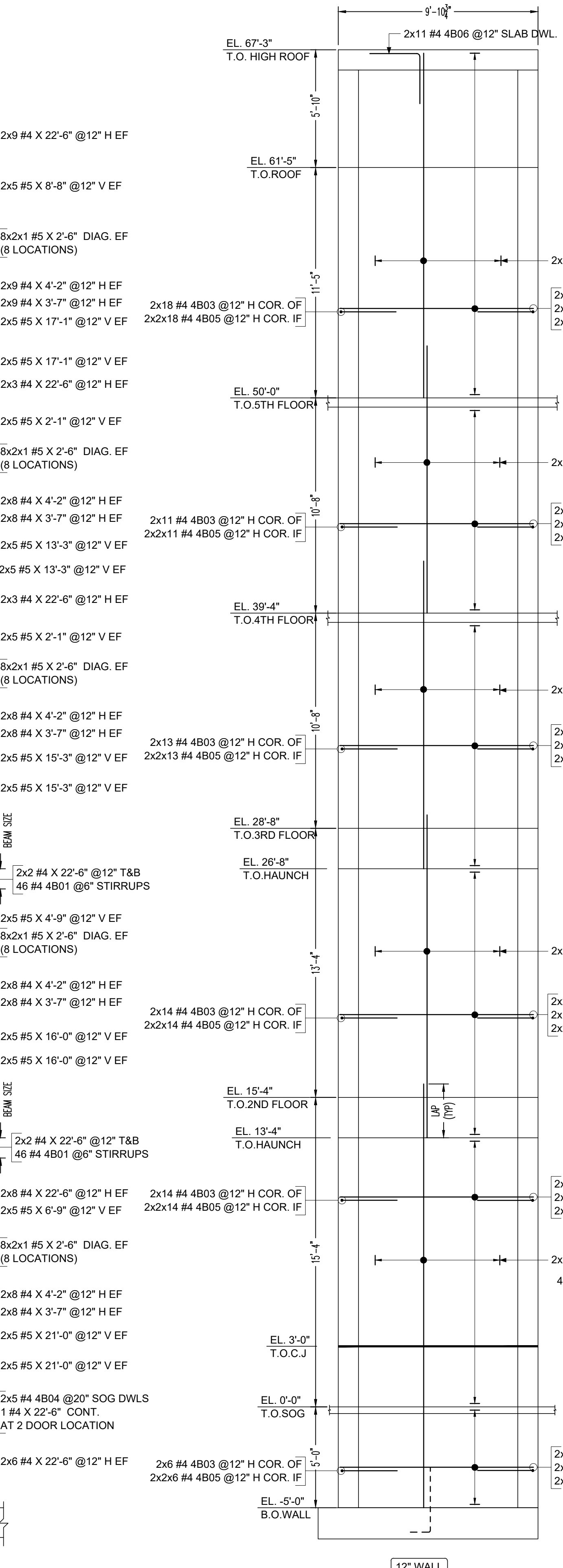


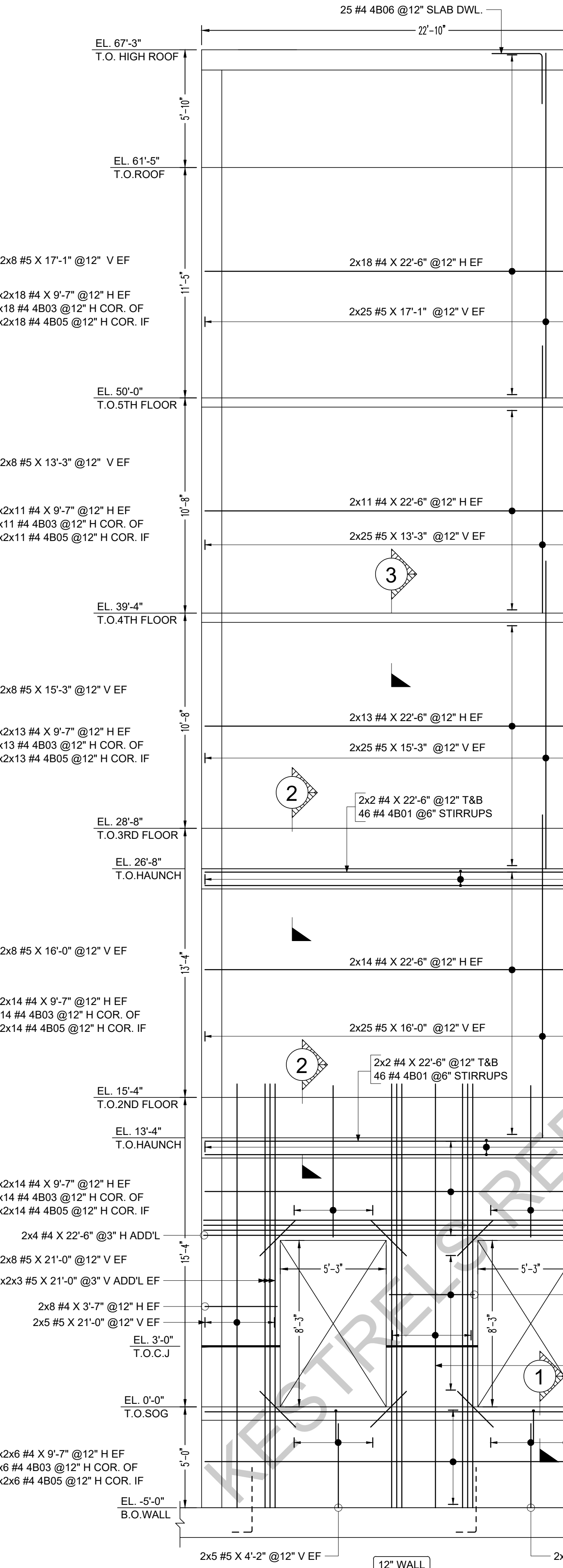
Drawing Sheet : R-02			BAR LIST												
Bar Mark	Qty	Size	Total Length	Type	'A'	'B'	'C'	'E'	'F'	'G'	'H'	'J'	'K'	'O'	'R'
4B01	184	#4	4'-9"	T2	0'-4 1/2"	0'-9"	1'-3"	0'-9"	1'-3"						
4B03	304	#4	5'-6"	T7		2'-9"	2'-9"								
4B04	20	#4	5'-8"	T7		1'-8"	4'-0"								
4B05	608	#4	3'-5"	T2	0'-8"	2'-9"									
4B06	72	#4	5'-0"	T7		2'-6"	2'-6"								



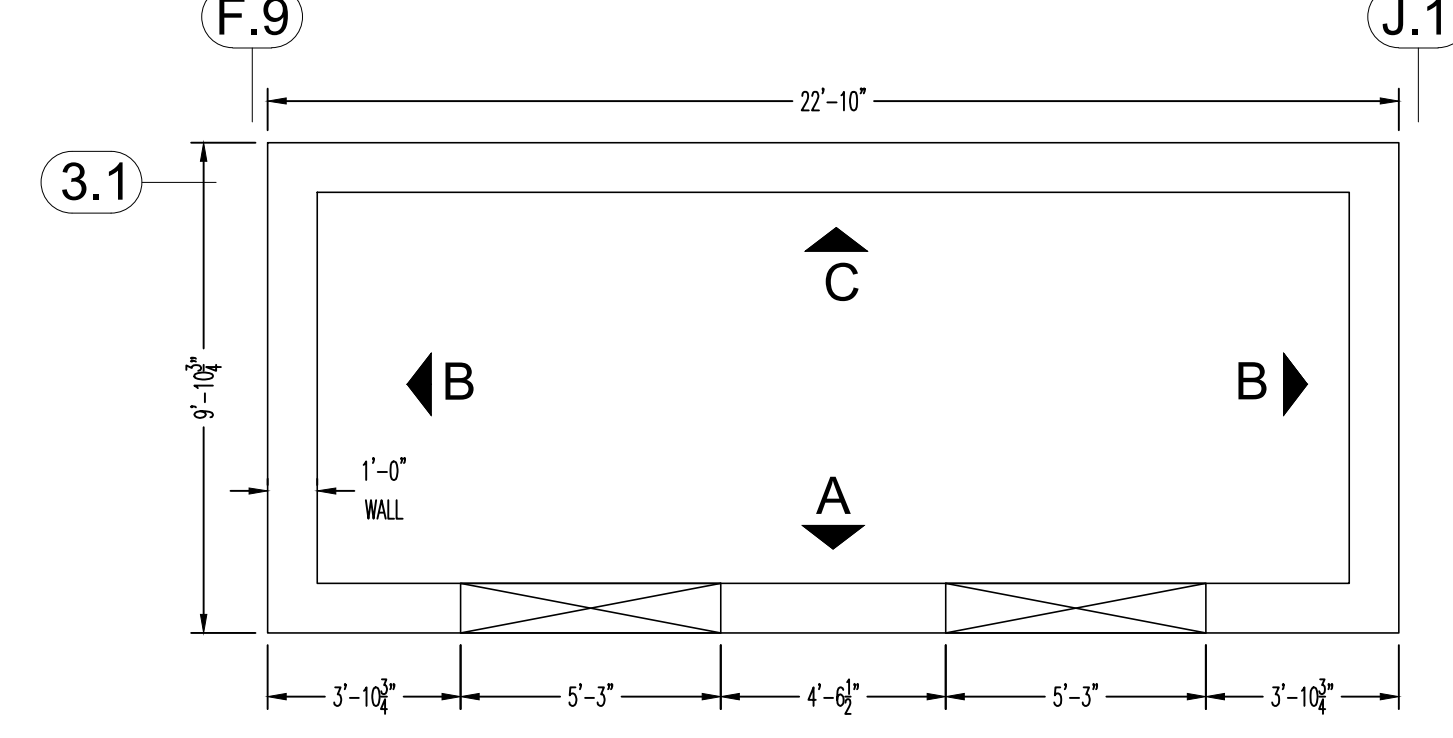
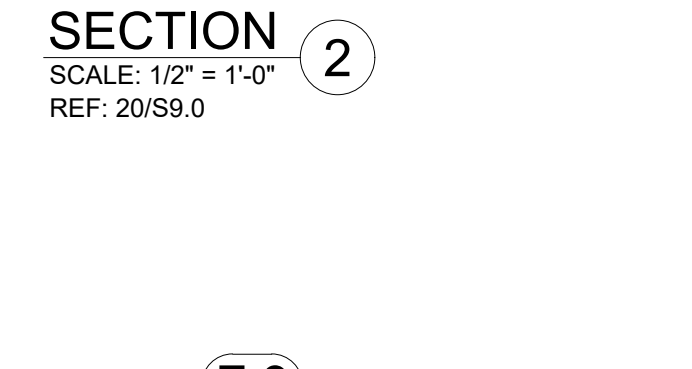
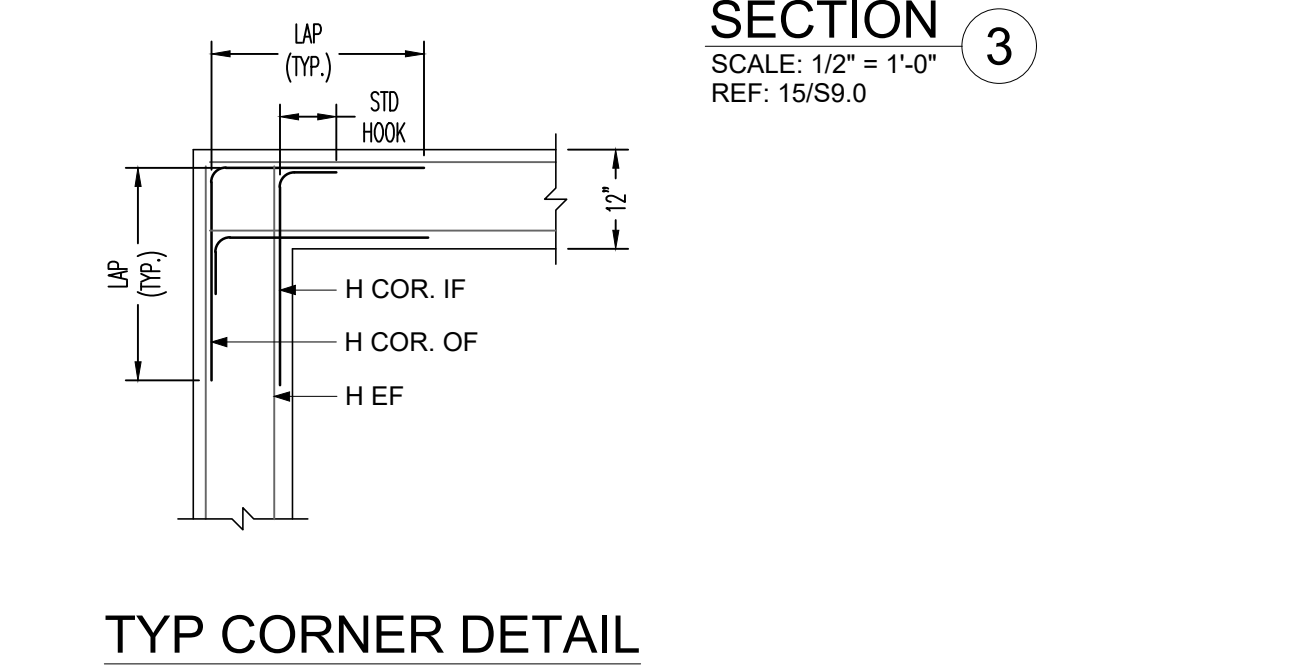
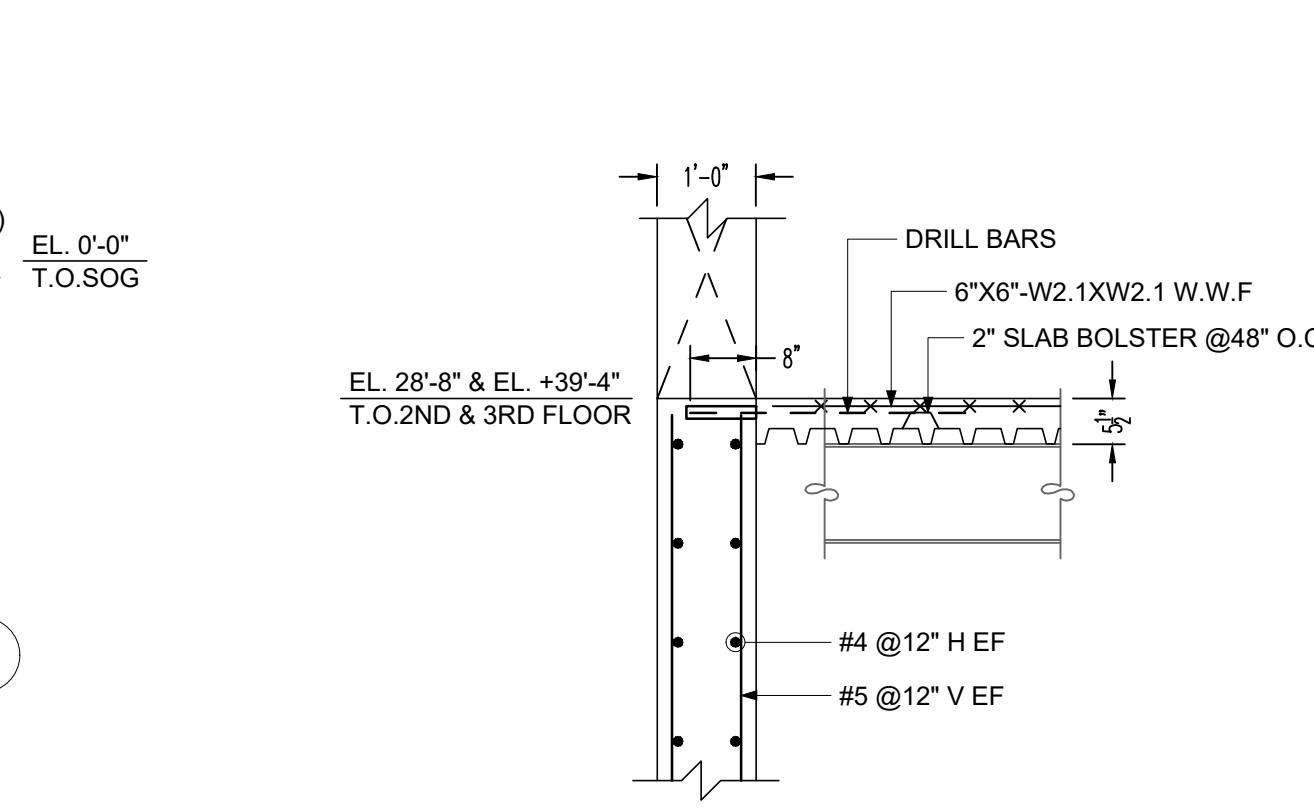
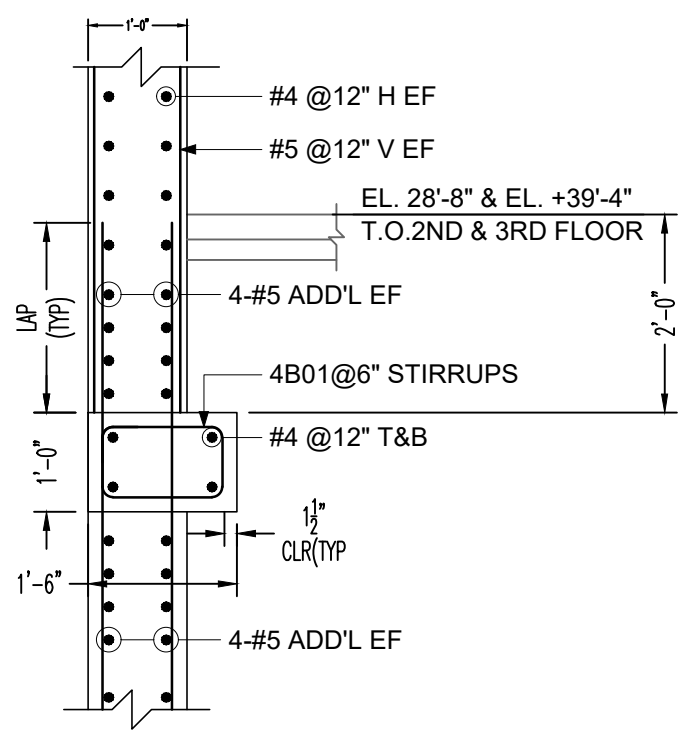
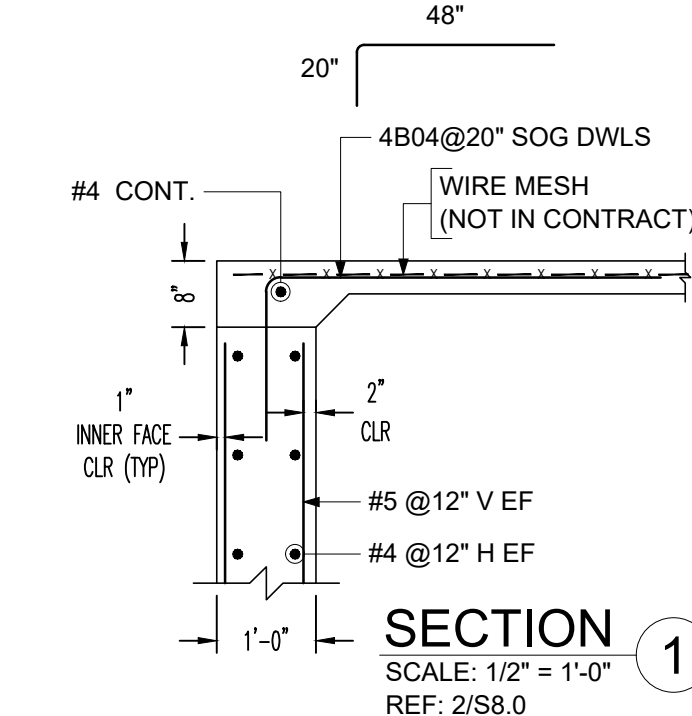
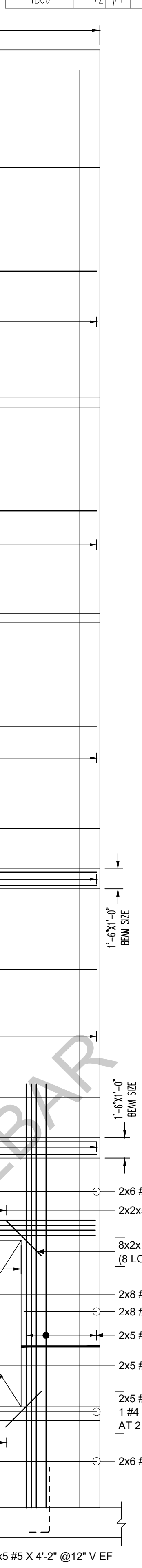
ELEVATION A
SCALE: 1/4" = 1'-0"
REF: S2.0 S8.0, & S9.0



ELEVATION B
SCALE: 1/4" = 1'-0"
REF: S2.0 S8.0, & S9.0
2 LOCATION

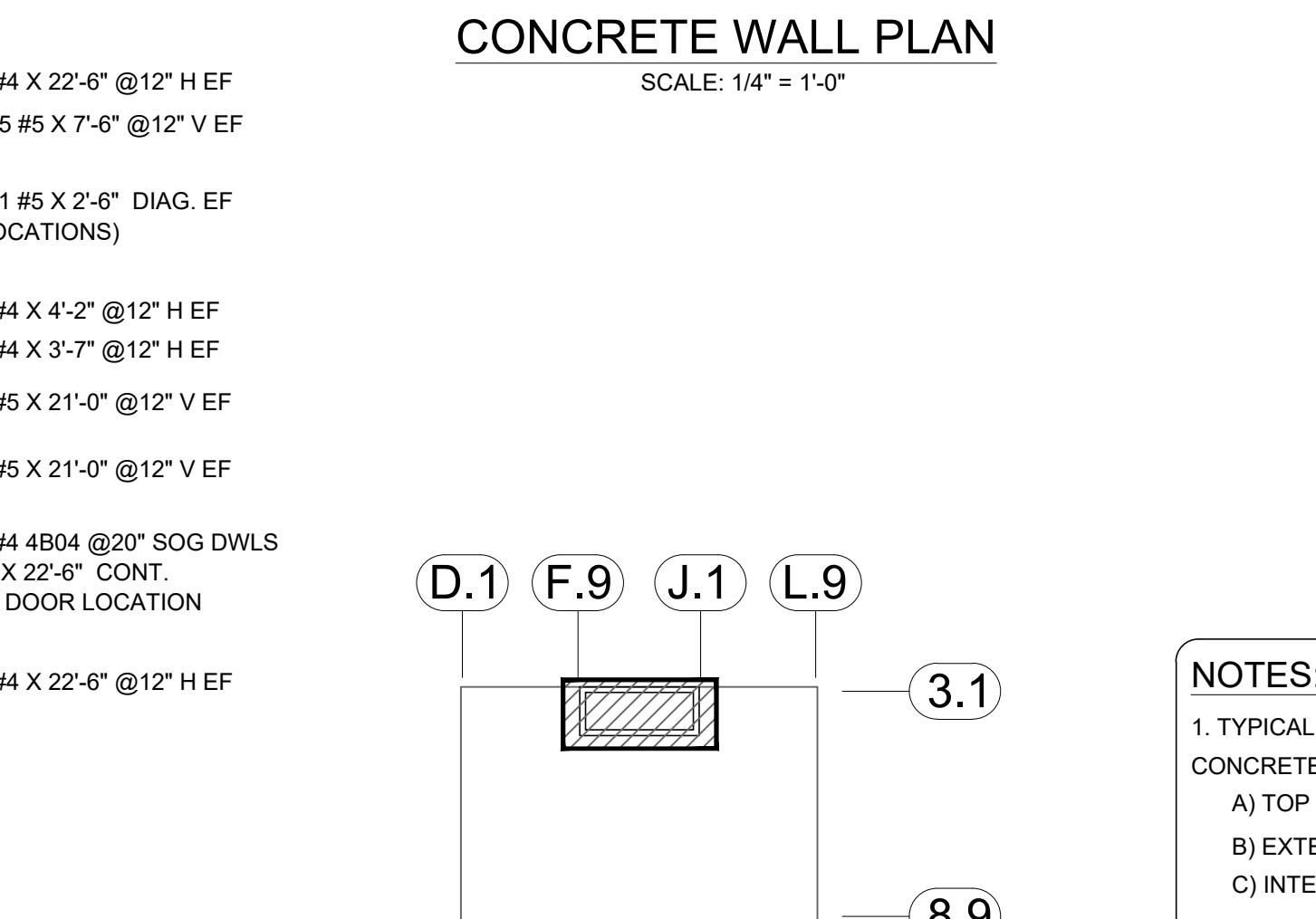


ELEVATION C
SCALE: 1/4" = 1'-0"
REF: S2.0 S8.0, & S9.0



ABBREVIATIONS	
CORNER BAR	COR.
DOWELS	DWLS
TOP	T
BOTTOM	B
EACH FACE	EF
EACH SIDE	ES
CONTINUOUS	CONT.
VERTICAL	V
HORIZONTAL	H
OUTER FACE	OF
INNER FACE	IF
TOP OF WALL	T.O.W
BOTTOM OF WALL	B.O.W
TOP OF SLAB	T.O.S

LAP SCHEDULE FOR WALLS (CLASS-B)		
SIZE	4000 PSI	
	TOP	OTHER
#3	24"	19"
#4	32"	25"
#5	40"	31"
#6	48"	37"
#7	70"	54"
#8	80"	62"
#9	91"	70"
#10	102"	79"
#11	113"	87"



- NOTES:-**
- TYPICAL CLEARANCES
CONCRETE WALLS
A) TOP & END - 2"
B) EXTERIOR FACE - 2"
C) INTERIOR FACE - 1"
 - PROVIDE FIELD CUT AS REQUIRED LOCATIONS
 - BAR TO BE PLACED AT EQUAL SPACING U.O.N.
 - ILT HOOK TO ACCOMMODATE THE COVER, IF NEEDED

ALL BARS ARE ASTM A615 GRADE 60 BLACK